

Name/Date:

Social Studies 9 Unit 2 The British and North America

2H Capitalism and Steam Power

References:

Cranny, M. (1998) Crossroads: A Meeting of Nations, Ch. 5, p 134-135, 138-139

Vocabulary

Provide brief definitions and/or examples for the following terms:

e.g. capitalist *a wealthy person who uses money to invest in trade and industry for profit, someone who practices or supports free-market/laissez-faire capitalism*

entrepreneurs

franchise

laissez-faire

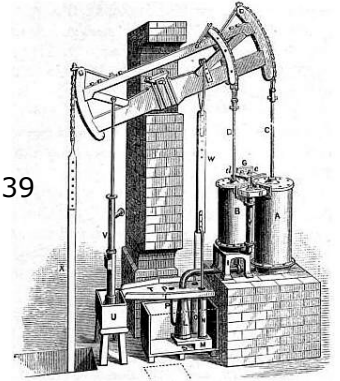
Questions:

1. Who benefits from *laissez-faire*? Put another way, which type of individual or group in society gains the most from laissez-faire policies or economics?

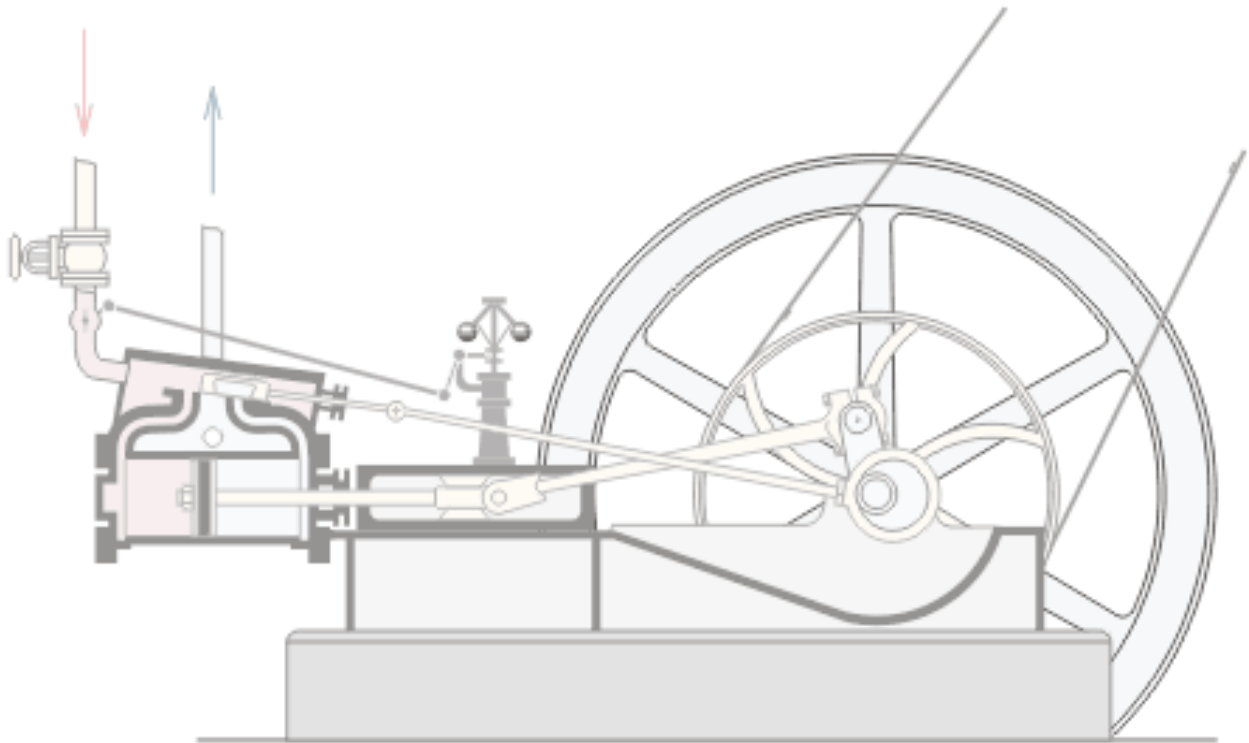
2. Which industry was the first to benefit or thrive during the Industrial Revolution?

3. What were the first steam engines used for? What problem were they meant to solve? Who invented this first steam engine?

4. The steam engine was improved and made more useful by whom? What did he do?



See animated image of a steam engine at http://en.wikipedia.org/wiki/Steam_engine



1

Space for notes (e.g. Industrial Revolution Filmstrip)